

## Flasher Handle or Handlebar Quick Disconnect Mount

531865-1\_B

### Thank You

Thank you for choosing Humminbird®, the #1 name in marine electronics. Humminbird has built its reputation by designing and manufacturing top-quality, thoroughly reliable marine equipment. Genuine Humminbird accessories offer the opportunity to upgrade and expand the capabilities of your Humminbird product.

Your Humminbird is designed for trouble-free use in even the harshest marine environment. In the unlikely event that your Humminbird does require repairs, we offer an exclusive Service Policy. For complete details, see the separate warranty card included with your unit.

Contact Humminbird Customer Service at **1-800-633-1468** or visit our Web site at **humminbird.com**.

### Supplies

If you find that any items are missing from your installation kit, contact Humminbird Customer Service.

**Supplies (included):** The supplies in this hardware kit allow you to install the quick disconnect mount on the Flasher handle OR onto the handlebar of an ATV or snowmobile. Most of the hardware is shared between the two assemblies with the exception of a couple of parts. See each installation section for details.

**Supplies (not included):** In addition to the installation kit, you will need a Phillips-head screwdriver, and a crescent wrench or socket wrench.

**Optional-Purchase Transducers (not included):** If you choose to connect an ice transducer to the 385ci control head, you will need to purchase the XI 9 20 transducer from Humminbird Customer Service. The ICE 55 Flasher XI 9 19 transducer cannot be used with the 385ci control head. If you already have both transducers, note that the transducer cables are labeled, and the XI 9 20 is also identified with a white tag.

*NOTE: Product specifications and features are subject to change without notice.*

### Installation Overview

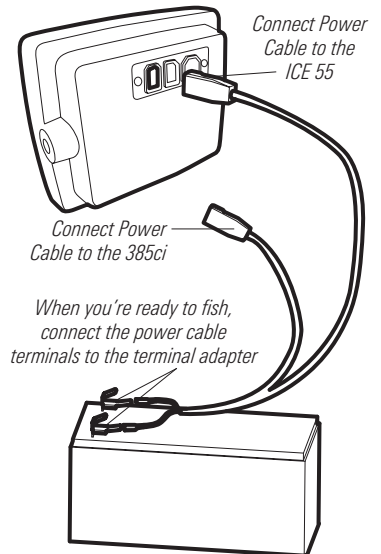
Before you start the installation, we encourage you to read these instructions carefully in order to get the full benefit from your Humminbird accessory.

#### 1. Connect the Dual-Connector Power Cable

1. The battery should be fully charged at the beginning of this procedure. See your ICE 55 Flasher manual for details.
2. Remove the ICE 55 Flasher base assembly from the portable bag.
3. Disconnect the ICE 55 power cable from the control head and battery.
4. Refer to the illustration **Connecting the Dual Connector Power Cable** to connect the included dual-connector power cable to the ICE 55 control head and the 385ci control head. The connectors are keyed to prevent reverse installation, so be careful not to force the connectors into the wrong plugs on the control heads.
5. Do not connect the power cable terminals to the battery terminal adapter until installation is completed and you're ready to fish.

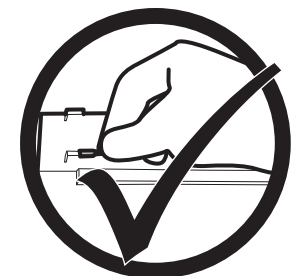
**CAUTION:** Do not pull on the battery or charger cables when you are trying to connect them or disconnect them from the battery terminals. Push or pull gently on the spade terminals instead. If the connector feels tight, use a slight wiggling motion to slide the spade connector into place on the terminal.

#### Connecting the Dual-Connector Power Cable



*The dual connection power cable allows you to power the ICE 55 and the 385ci at the same time.*

#### Handling the Spade Terminals



## Flasher Handle or Handlebar Quick Disconnect Mount

### 2. Test the Optional-Purchase XI 9 20 Transducer

The procedures in this section are optional. To skip the transducer installation, proceed to section 3. *Attach the Quick Disconnect Mount.*

If you decide to install the quick disconnect mount onto the Flasher handle, you may purchase the optional XI 9 20 transducer for dual-hole ice fishing. The transducer is not required if you're only using the 385ci for GPS functions. If you'd like to purchase the XI 9 20 transducer, contact Humminbird Customer Service at **1-800-633-1468** or visit our Web site at [humminbird.com](http://humminbird.com).

#### Testing the Optional-Purchase XI 9 20 Transducer (385ci Combo)

Prior to installation, test the transducer to make sure that no damage occurred during shipping.

**WARNING!** Always make sure that conditions are safe before walking on the ice.

**NOTE:** The ICE 55 Flasher XI 9 19 transducer cannot be used with the 385ci control head. The XI 9 20 must be purchased through Humminbird Customer Service if you'd like to use an ice transducer with the 385ci Combo unit. The transducer cables are labeled, and the XI 9 20 is also identified with a white tag.

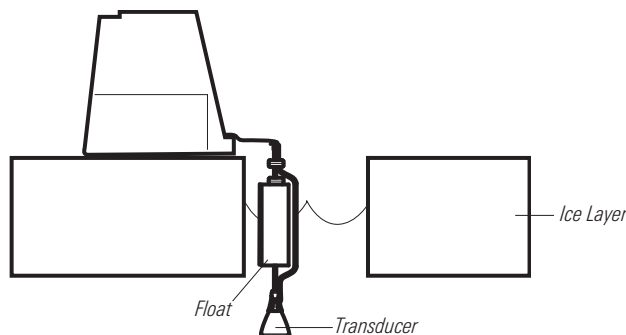
**NOTE:** The control head plugs are keyed to prevent reversed installation, so be careful not to force the connectors into the wrong plugs.

1. Connect the 385ci power cable to the control head and the battery terminal adapter.
2. Connect the XI 9 20 transducer cable to the 385ci Combo control head.
3. Drop the transducer into the ice hole.
4. **Power On:** Press the POWER/LIGHT key. If the transducer is working properly, you will see the bottom on the sonar view.
5. **Power Off:** Press + Hold the POWER/LIGHT key. Remove the transducer from the ice hole. Disconnect the transducer and power cable from the control head.
6. **Disconnect Power:** Disconnect the power cable terminals from the battery until installation is completed and you're ready to fish.

#### Assembling the Transducer and Float

In this procedure, you will assemble the transducer and float.

1. Thread the support cable through the support clip and then clip it onto the transducer.
  2. Attach your transducer float to the support cable by sliding the support cable through the slit in the float.
- NOTE:** Attaching the float is optional. You can also use the storage posts to hold the support cable in position.
3. Position the float so that the transducer will be submerged in the water, just below the ice.

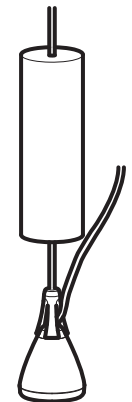


**NOTE:** The transducer must be submerged in water for reliable transducer detection. The bottom of the transducer should be even with the bottom of the ice or hang slightly below the bottom of the ice.

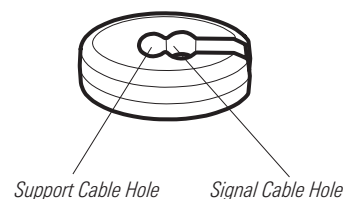
#### Threading the Cable through Support clip



#### Attaching the Float to the Support Cable



#### Cable Clamp



## Flasher Handle or Handlebar Quick Disconnect Mount

- Once you know where you want to position your float, place one of the cable clamps onto the support cable above the float. Use the inside, smaller cable hole for the support cable so that the float will not move and so that the transducer will maintain its position under the ice. Make sure that the support cable is taut so that the transducer hangs straight down (see illustration).
- If you would like to keep the support and signal cables together above the float stop, attach a cable management clamp (included) to the support cable (using the inner, smaller hole) and the signal cable (using the outer, larger hole). Make sure that the signal cable has some slack so that it is not bearing the weight of the transducer.

### 3. Attach the Quick Disconnect Mount

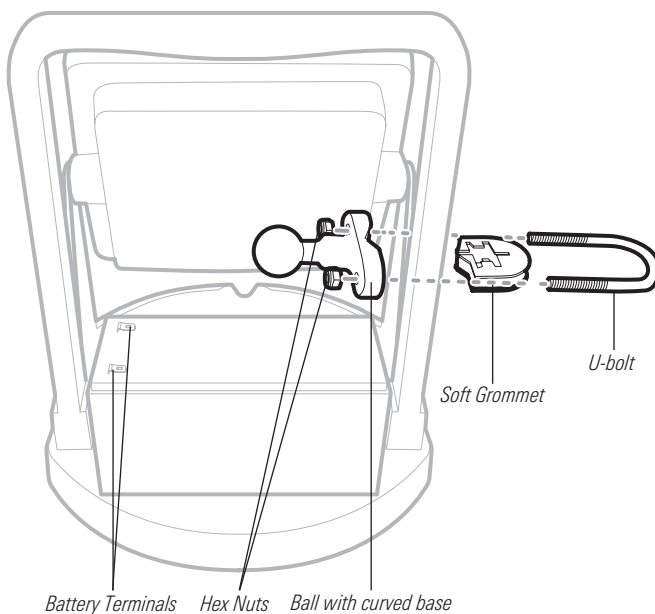
This hardware kit allows you to mount the fishfinder to the Flasher handle or to the handlebar of an ATV or snowmobile. Proceed to **3a. Attaching the Flasher Handle Mount** or **3b. Attaching the ATV/Snowmobile Handlebar Mount**.

#### 3a. Attaching the Flasher Handle Mount

In this procedure, you will attach the fishfinder quick disconnect mount to the Flasher handle. You will need to use the following hardware kit supplies: soft grommet with handle cut-out, ball with curved base, ball with flat base, U-bolt, mount arm, cable collector, retainer, and mounting hardware.

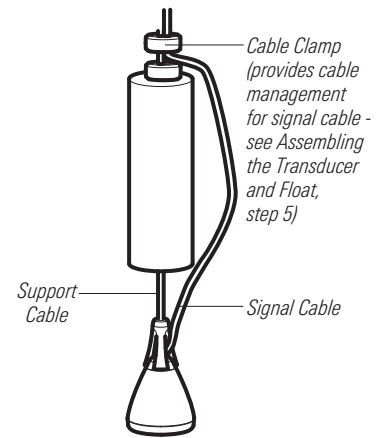
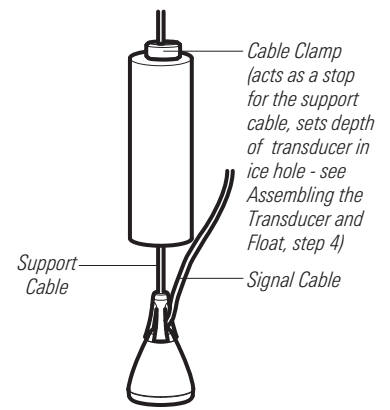
- Choose the Mounting Location:** The quick disconnect mount needs to be installed on the right side of the handle above the battery (on the opposite side of the battery terminals).
- Hold the soft grommet to the inside, center part of the U-bolt, and slide the U-bolt onto the handle so that the ends are facing left.

#### Attaching the Flasher Handle Mount

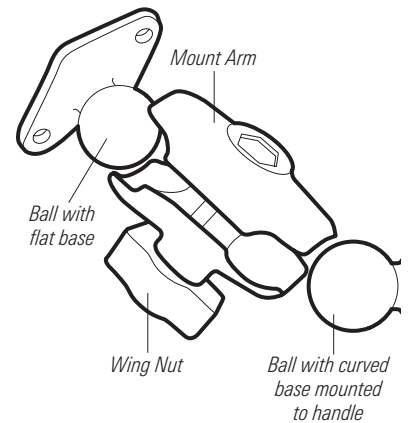


- Slide the curved-base ball onto the U-bolt. See the illustration **Attaching the Flasher Handle Mount**.
- Insert the two hex nuts to secure the U-bolt in place. Tighten the hex nuts with a socket wrench or crescent wrench. Cover the ends of the U-bolt with the included rubber covers.
- Unscrew the wing nut on the mount arm just enough to loosen the assembly. Slide one open end of the arm over the mounted ball.

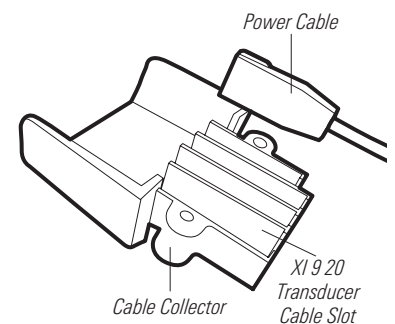
#### Attaching the Cable Clamps



#### Assembling the Mount Arm



#### Inserting Cables into the Cable Collector



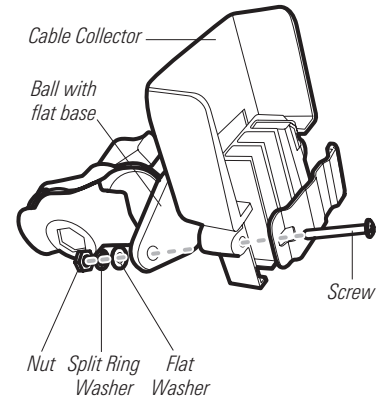
## Flasher Handle or Handlebar Quick Disconnect Mount

6. Insert the flat-base ball into the other open end of the mount arm. Hand-tighten the wing nut enough to secure the mount arm assembly in place temporarily.
7. Insert the power cable connector and XI 9 20 transducer cable (optional) connector into the appropriate slots on the cable collector. The cable connectors are keyed to prevent reverse installation, so be careful not to force the connector into the wrong slot.

**NOTE:** The transducer cable is labeled, and the XI 9 20 is also identified with a white tag. The XI 9 20 must be used with the 385ci Combo control head.

8. Hold the cables in place, and align the retainer over the cable collector. Insert screws and place the hardware onto each screw in the following order: flat washer, split ring lock washer, and nut (see the illustration **Mounting the Cable Collector**).
9. Using a socket wrench, tighten each nut so that the split ring washer flattens and is secure.
10. Adjust the mount arm to the viewing angle you prefer. Tighten the wing nut to secure the angle.

### Mounting the Cable Collector

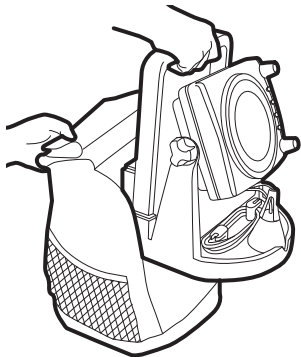


## Installing the Assembly into the Portable Bag

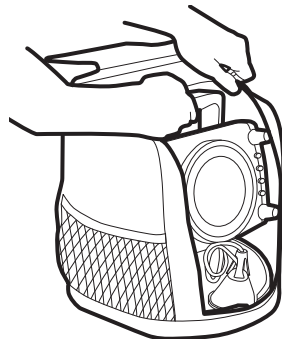
In this procedure, you will install the assembly into the portable bag. You will attach the 385ci Combo control head in a later procedure.

1. Unzip the largest opening on the front of the portable bag.
2. Insert the base/handle assembly into the portable bag so that the Flasher Dial is facing out of the bag. For best results, pull the bag over one shoulder of the handle at a time.
3. Adjust the bag so that you can easily grab the handle through the fabric handhold inset from the outside top of the portable bag.

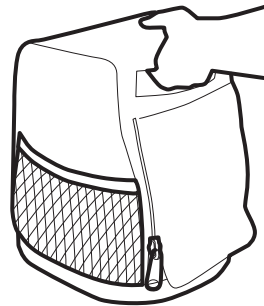
Installing the Base into the Bag



Pulling the Bag over the Handle



Holding the Portable Bag



## Flasher Handle or Handlebar Quick Disconnect Mount

531865-1\_B

### Attaching the 385ci Control head to the Portable Bag Assembly

In this procedure, you will attach the 385ci Combo to the Flasher Handle quick disconnect mount.

1. Open the back flap of the portable bag. Insert your hand into the sleeve and carefully pull the fishfinder mount arm through the sleeve so that it is facing out of the portable bag. If necessary, loosen the wing nut on the mount arm until you've reached the chosen viewing angle. Be sure to tighten the wing nut once you've reached the chosen angle.
2. Slide the 385ci control head onto the quick disconnect mount until it is fully seated. Make sure that the power cable and XI 9 20 (optional) transducer cable connectors insert completely into the control head plugs. The plugs and connectors are keyed, so insertion should be easy - do not to force the connectors into the plugs.
3. Your ICE 55 Flasher and the 385ci Combo are ready for operation.

### Storing the Optional-Purchase Transducers

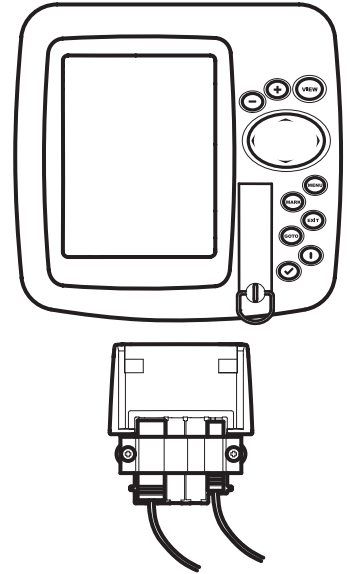
When you are done fishing, store the transducers using the following guidelines:

1. **XI 9 19 (ICE 55):** Wipe the cable dry, tuck the float under the control head, and wrap the cable around the storage posts. Store the transducer in the transducer well.
2. **XI 9 20 (385ci Combo):** Wipe the cable dry, coil the cable, and tuck the transducer in one of the side pockets in the portable bag.

**NOTE:** You do not have to detach the transducer cable from the ICE 55 control head to store the transducer.

**CAUTION:** Although the transducer cable is designed to be flexible in cold temperatures, you must store your cable correctly to avoid stressing it. Make sure it is coiled smoothly, with no kinks, and that it is clear of the zippers on the portable bag.

Connecting the 385ci to the Transducer and Power Connections

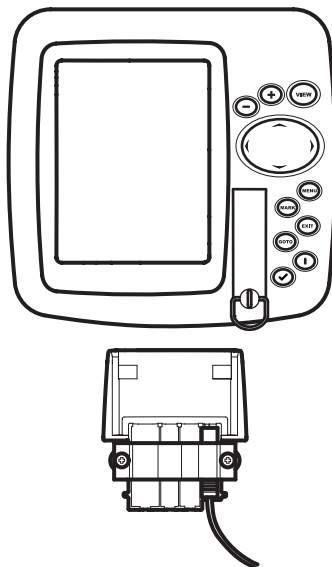


### 3b. Attaching the ATV/Snowmobile Handlebar Mount

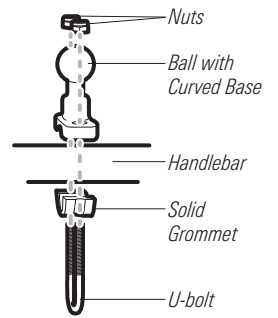
In this procedure you will install the quick disconnect handlebar mount. You will need to use the following hardware kit supplies: ball with curved base, ball with flat base, mount arm, U-bolt, solid grommet, cable collector, retainer, mounting hardware, and a power cable with a cigarette lighter adapter.

1. **Choose the Mounting Location:** Select a location on the handlebar that provides the best visibility and safety during operation. The selected location must not block or interfere with the vehicle operation or gauges. The selected location should allow the power cable to connect easily to the cigarette lighter.
2. Hold the solid grommet to the inside, center part of the U-bolt. Slide the U-bolt onto the underside of the handlebar so that the U-bolt ends are facing up.
3. Slide the curved-base ball over the U-bolt. See the illustration *Assembling the Handlebar Mount*.
4. Insert the two hex nuts to secure the ball in place and tighten with a socket wrench or crescent wrench. Cover the ends of the U-bolt with the included rubber covers.
5. Unscrew the wing nut on the mount arm just enough to loosen the assembly. Slide one open end of the arm over the mounted ball.
6. Insert the flat-base ball into the open end of the mount arm. Hand-tighten the wing nut enough to secure the mount arm assembly in place temporarily. See the illustration *Attaching the Mount Arm*.
7. Insert the power cable connector into the cable collector. The cable connectors are keyed to prevent reverse installation, so be careful not to force the connector into the wrong slot. See the illustration *Inserting the Power Cable into the Cable Collector*.
8. Hold the cable in place, and align the retainer over the cable collector. Insert screws through the retainer, cable collector, and ball base. Add the hardware onto each screw in the following order: flat washer, split ring lock washer, and nut (see the illustration *Mounting the Cable Collector*).
9. Using a socket wrench, tighten each nut so that the split ring washer flattens.
10. Adjust the mount arm to the viewing angle you prefer. Tighten the wing nut to secure the angle.
11. Slide the 385ci control head onto the quick disconnect mount until it is fully seated. Make sure that the power cable inserts completely into the control head plug. The plugs and connectors are keyed, so insertion should be easy - do not to force the connectors into the plugs.
12. Plug the power cable into the cigarette lighter. Secure the cable with zip ties (optional).

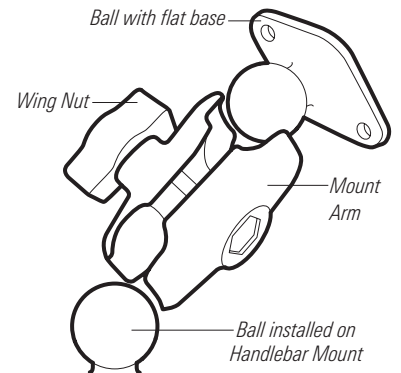
#### Connecting the 385ci to the Handlebar Quick Disconnect Mount



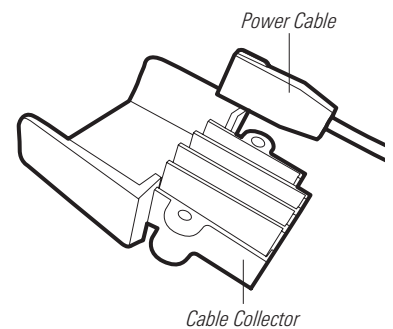
#### Assembling the Handlebar Mount



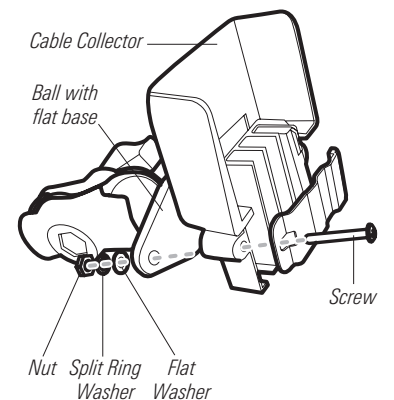
#### Attaching the Mount Arm



#### Inserting the Power Cable into the Cable Collector



#### Mounting the Cable Collector



## 1-Year Limited Warranty

We warrant the original retail purchaser that products made by Humminbird have been manufactured free from defects in materials and workmanship. This warranty is effective for one year from the date of original retail purchase. Humminbird products found to be defective and covered by this warranty will be repaired or replaced free of charge at Humminbird's option and returned to the customer freight prepaid. Humminbird's sole responsibility under this warranty is limited to the repair or replacement of a product that has been deemed defective by Humminbird. Humminbird is not responsible for charges connected with the removal of such product or reinstallation of replaced or repaired parts.

This warranty does not apply to a product that has been:

- Improperly installed;
- Used in an installation other than that recommended in the product installation and operation instructions;
- Damaged or has failed because of an accident or abnormal operation;
- Repaired or modified by entities other than Humminbird.

Please retain your original receipt as a proof of the purchase date. This will be required for in-warranty service.

THIS WARRANTY IS EXPRESSLY IN LIEU OF ANY OTHER WARRANTIES, OBLIGATIONS OR LIABILITIES ON THE PART OF Humminbird AND WILL BE THE CUSTOMER'S EXCLUSIVE REMEDY, EXCEPT FOR ANY APPLICABLE IMPLIED WARRANTIES UNDER STATE LAW WHICH ARE HEREBY LIMITED IN DURATION TO ONE YEAR FROM THE DATE OF ORIGINAL PURCHASE. IN NO EVENT WILL Humminbird BE LIABLE FOR ANY INCIDENTAL OR CONSEQUENTIAL DAMAGES FOR BREACH OF ANY EXPRESS OR IMPLIED WARRANTY RELATING TO THE PRODUCTS.

Some states do not allow limitations on an implied warranty, or the exclusion of incidental or consequential damages, so the above exclusions may not apply to you. You may also have other rights, which vary from state to state.

## Humminbird Service Policy

Even though you'll probably never need to take advantage of our incredible service policy, it's good to know that we back our products this confidently. We do it because you deserve the best. We will make every effort to repair your unit within three business days from the receipt of your unit at our factory. This does not include shipping time to and from our factory. Units received on Friday are typically shipped by the following Wednesday, units received Monday are typically shipped by Thursday, etc.

All repair work is performed by factory-trained technicians to meet exacting factory specifications. Factory-serviced units go through the same rigorous testing and quality control inspections as new production units.

After the original warranty period, a standard flat rate service charge will be assessed for each repair (physical damage and missing parts are not included). Any repairs made after the original warranty will be warranted for an additional 90 days after service has been performed by our factory technicians. You can contact Humminbird Customer Service or visit our Web site to verify the flat rate repair fee for your product (visit the Product Support section):

<http://www.humminbird.com>

We reserve the right to deem any product unserviceable when replacement parts are no longer available or impossible to obtain. This Service Policy is valid in the United States only. This applies only to Humminbird products returned to our factory in Eufaula, Alabama. This Service Policy is subject to change without notice.

### DOMESTIC (USA) CUSTOMERS:

#### PLEASE DO NOT RETURN THIS PRODUCT TO STORE FOR SERVICE

For all technical issues please call **1-800-633-1468**  
or visit [www.humminbird.com](http://www.humminbird.com), click **SUPPORT**.

Please reference product serial number and  
model number when contacting Humminbird.

## Flasher Handle or Handlebar Quick Disconnect Mount

531865-1\_B

### Returning Your Unit for Service

Before sending your unit in for repair, please contact the factory, either by phone or by email, to obtain a Repair Authorization Number for your unit.

**NOTE:** Please do not return your Humminbird to the store for service.

Please have your product model name and serial number available before calling the factory. If you contact the factory by e-mail, please include your product model name and serial number in the e-mail, and use Request for Repair Authorization Number for your e-mail subject header. You should include your Repair Authorization Number in all subsequent communications about your unit.

#### For IN-WARRANTY service, complete the following steps:

- Obtain a Repair Authorization Number from Humminbird Customer Service.
- Tag product with your name, street address, phone number and your assigned Repair Authorization Number.
- Include a brief written description of the problem.
- Include a copy of your receipt (to show proof and date of purchase).
- Return product freight prepaid to Humminbird, using an insured carrier with delivery confirmation.

#### For OUT-OF-WARRANTY service, complete the following steps:

- Obtain a Repair Authorization Number from Humminbird Customer Service.
- Include payment in the form of credit card number and expiration date, or a money order. Please do not send cash.
- Tag product with your name, street address, phone number and your assigned Repair Authorization Number.
- Include a brief written description of the problem.
- Return product freight prepaid to Humminbird, using an insured carrier with delivery confirmation.

### Contact Humminbird

**Web site** humminbird.com

**E-mail** service@humminbird.com

**Telephone** 1-800-633-1468

**Direct Shipping** Humminbird  
Service Department  
678 Humminbird Lane  
Eufaula, AL 36027 USA

**ENVIRONMENTAL COMPLIANCE STATEMENT:** It is the intention of Johnson Outdoors Marine Electronics, Inc. to be a responsible corporate citizen, operating in compliance with known and applicable environmental regulations, and a good neighbor in the communities where we make or sell our products.

**WEEE DIRECTIVE:** EU Directive 2002/96/EC "Waste of Electrical and Electronic Equipment Directive (WEEE)" impacts most distributors, sellers, and manufacturers of consumer electronics in the European Union. The WEEE Directive requires the producer of consumer electronics to take responsibility for the management of waste from their products to achieve environmentally responsible disposal during the product life cycle.

WEEE compliance may not be required in your location for electrical & electronic equipment (EEE), nor may it be required for EEE designed and intended as fixed or temporary installation in transportation vehicles such as automobiles, aircraft, and boats. In some European Union member states, these vehicles are considered outside of the scope of the Directive, and EEE for those applications can be considered excluded from the WEEE Directive requirement.



This symbol (WEEE wheelie bin) on product indicates the product must not be disposed of with other household refuse. It must be disposed of and collected for recycling and recovery of waste EEE. Johnson Outdoors Marine Electronics, Inc. will mark all EEE products in accordance with the WEEE Directive. It is our goal to comply in the collection, treatment, recovery, and environmentally sound disposal of those products; however, these requirements do vary within European Union member states. For more information about where you should dispose of your waste equipment for recycling and recovery and/or your European Union member state requirements, please contact your dealer or distributor from which your product was purchased.